

Product data sheet

Characteristics

QOB230HID

Mini circuit breaker, QO, 30A, 2 pole, 120/240 VAC, 10 kA, high density discharge, bolt on mount

Product availability : Stock - Normally stocked in distribution facility



Main

Product	Miniature circuit-breaker
Range	QO
Current Rating	30 A
Voltage Rating	120/240 V AC
Mounting Type	Bolt-on
Number of Poles	2P
Circuit Breaker Type	High intensity discharge
Ratings	Not rated
Electrical Connection	Pressure plate

Complementary

Interrupt Rating	10 kA 120/240 V AC 50/60 Hz
Number of Panel Spaces	2
Wire Size	AWG 14...AWG 8 copper or aluminium
Tightening Torque	40.71 lbf.in (4.6 N.m)
Height	3 in (76.20 mm)
Width	1.5 in (38.10 mm)
Depth	2.91 in (73.91 mm)

Environment

Certifications	UL Listed CSA
Ambient Rating	104 °F (40 °C)

* Price is "List Price" and may be subject to a trade discount – check with your local distributor or retailer for actual price.

Ordering and shipping details

Category	00015 - QOB CIRCUIT BREAKERS
Discount Schedule	DE2
GTIN	00785901362944
Nbr. of units in pkg.	1
Package weight(Lbs)	0.56 lb(US) (0.25 kg)
Returnability	Yes
Country of origin	MX

Packing Units

Package 1 Height	1.60 in (4.064 cm)
Package 1 width	3.50 in (8.890 cm)
Package 1 Length	3.50 in (8.890 cm)

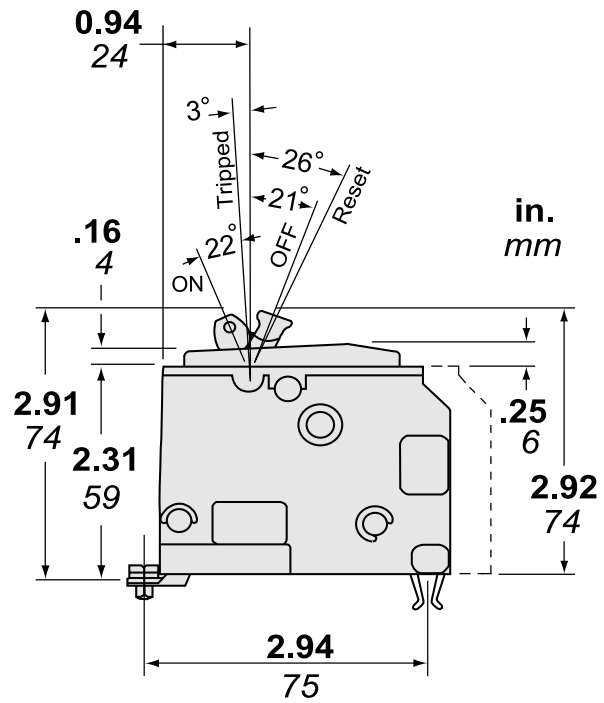
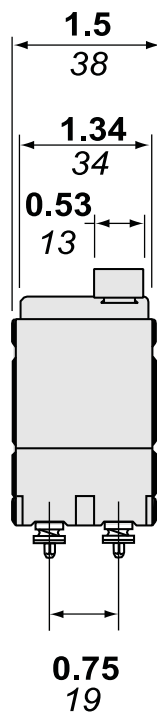
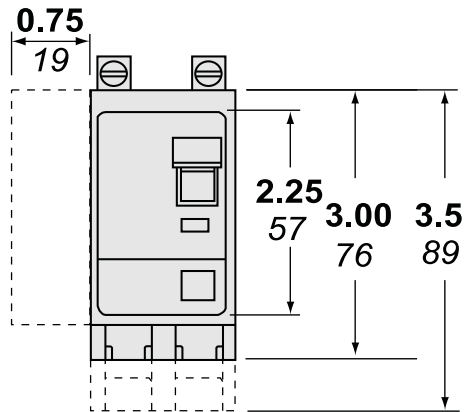
Offer Sustainability

Sustainable offer status	Green Premium product
REACH Regulation	REACH Declaration
REACH free of SVHC	Yes
EU RoHS Directive	Compliant EU RoHS Declaration
Toxic heavy metal free	Yes
Mercury free	Yes
RoHS exemption information	Yes
China RoHS Regulation	China RoHS declaration Pro-active China RoHS declaration (out of China RoHS legal scope)
Environmental Disclosure	Product Environmental Profile
Halogen content performance	Halogen free product

Contractual warranty

Warranty	18 months
----------	-----------

Dimensions



Dimensions are approximate. Refer to technical documentation for additional detail.